

MANIGLIE DOOR HANDLES

D
E
S
I
G
N

M
A
D
E

I
N

I
T
A
L
Y

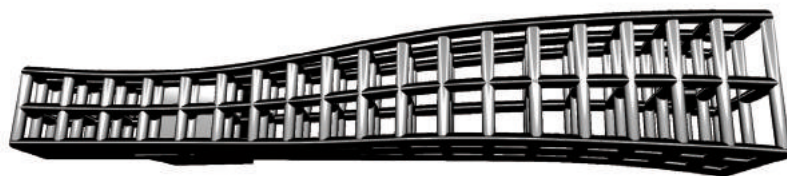


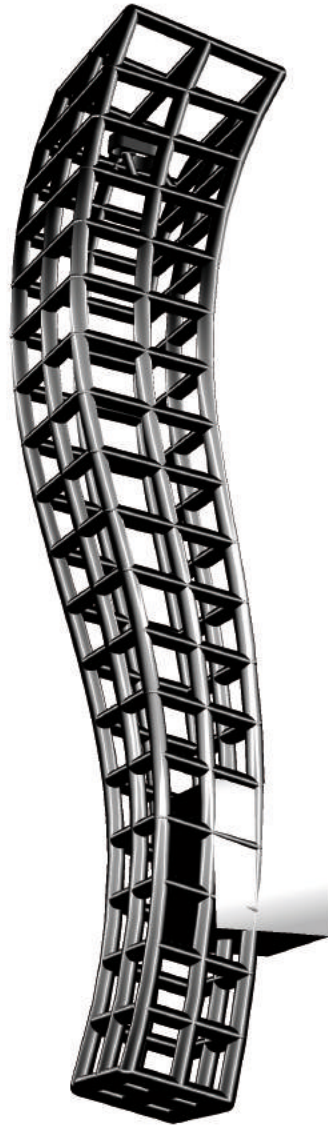
Reticube[®]
technology

WORLDWIDE PATENT

TUTTO NASCE DA UN PROGETTO...

EVERYTHING COMES FROM A PROJECT...



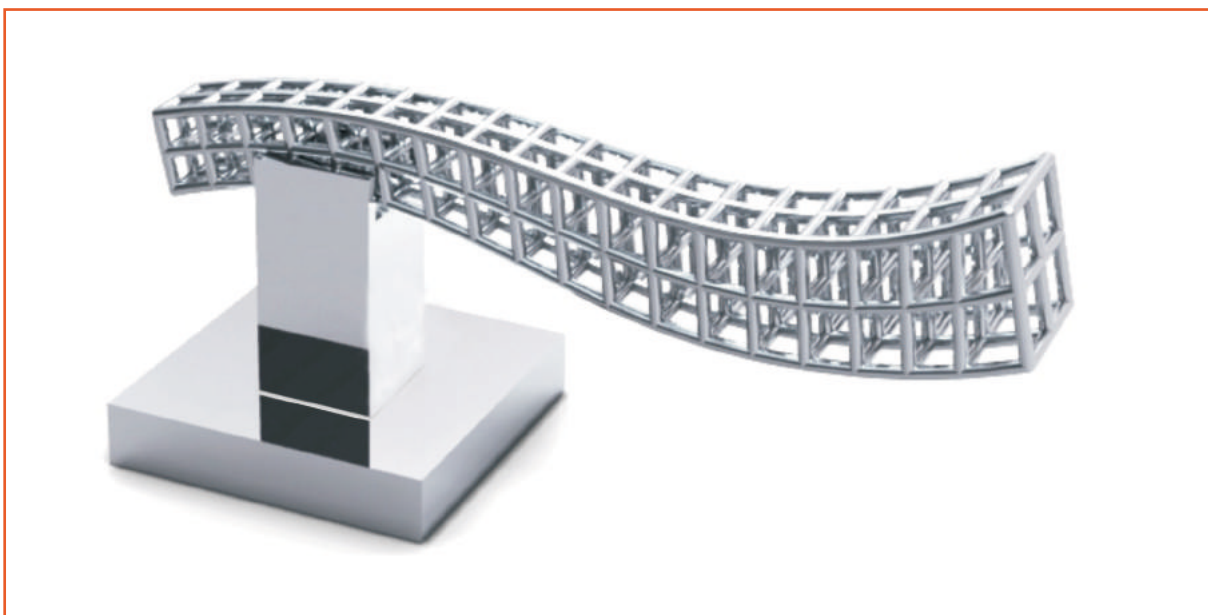


RETICUBE TECHNOLOGY

LA TECNOLOGIA RETICUBE PERMETTE DI OTTENERE MANIGLIE TRIDIMENSIONALI DI QUALSIASI FORMA E STRUTTURA: CON SOTTOSQUADRI, IN GABBIA VUOTA, ETC, DAI MODELLI PIÙ SEMPLICI A QUELLI PIÙ COMPLESSI E PARTICOLARI.

THIS TECHNOLOGY ALLOWS TO OBTAIN THREE-DIMENSIONAL HANDLES OF ANY TYPE OF SHAPE AND STRUCTURE: WITH UNDERCUTS, IN AN EMPTY CAGE, ETC., FROM THE SIMPLEST MODELS TO THE MOST COMPLEX AND PARTICULAR ONES.

BARRY



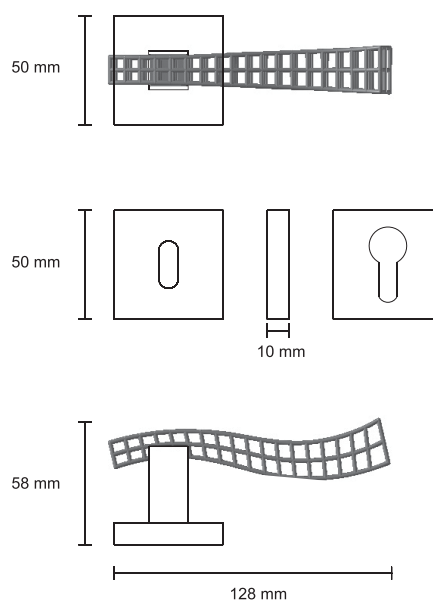
MOD. Q0227

SCHEMA TECNICA/ TECHNIQUE SCHEDULE

MATERIALE: OTTONE
MATERIAL: SOLID BRASS

FINITURE /FINISHING

CROMO/ CHROME
CORTEN/ COURTESY
PALLADIO /PALLADIUM
PVD
OTTONE INGLESE/ ENGLISH BRASS



BARRY LUX

MADE WITH SWAROVSKI ELEMENTS



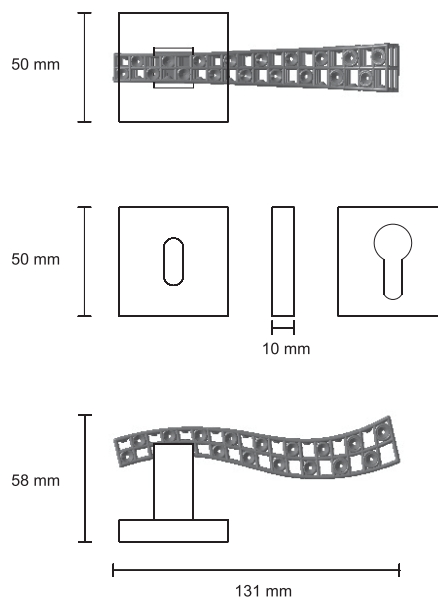
MOD. Q0231

SCHEDA TECNICA/ TECHNIQUE SCHEDULE

MATERIALE: OTTONE
MATERIAL: SOLID BRASS

FINITURE /FINISHING

CROMO/ CHROME
CORTEN/ COURTESY
PALLADIO /PALLADIUM
PVD
OTTONE INGLESE/ ENGLISH BRASS



CALIFORNIA



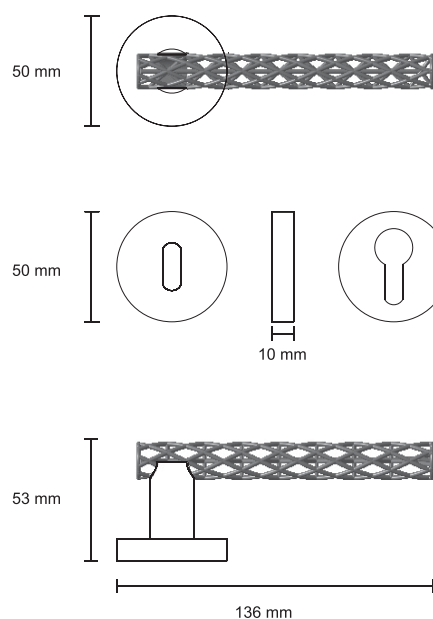
MOD. Q0190

SCHEMA TECNICA/ TECHNIQUE SCHEDULE

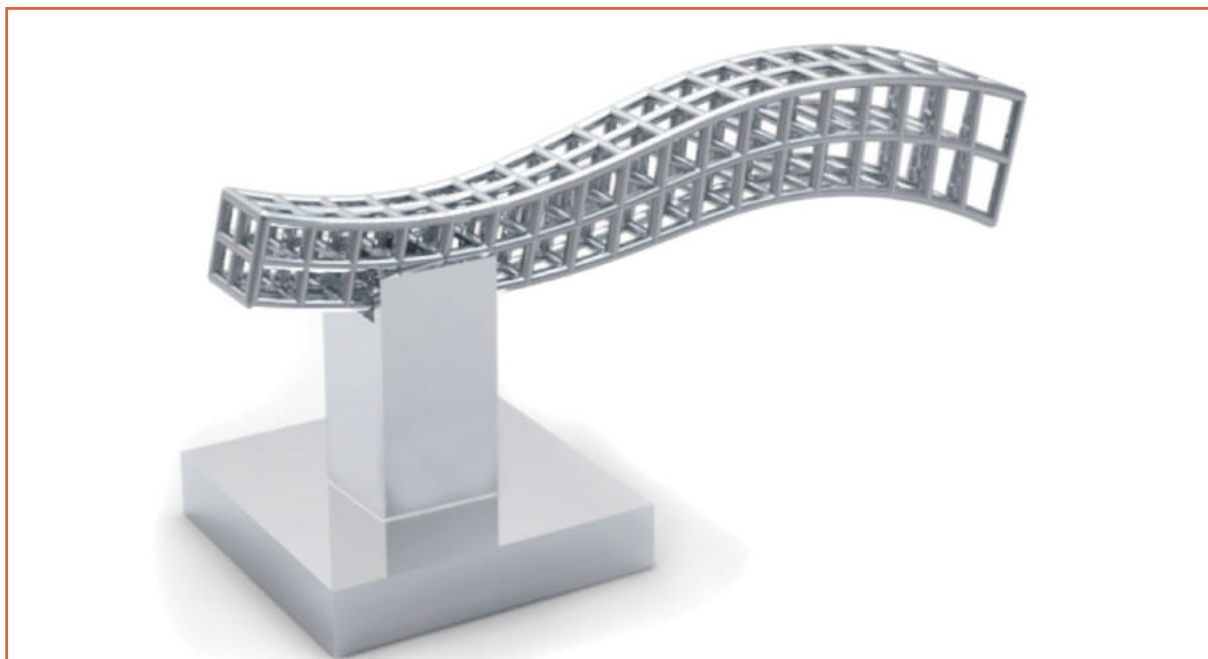
MATERIALE: OTTONE
MATERIAL: SOLID BRASS

FINITURE /FINISHING

CROMO/ CHROME
CORTEN/ COURTESY
PALLADIO /PALLADIUM
PVD
OTTONE INGLESE/ ENGLISH BRASS



CLARA



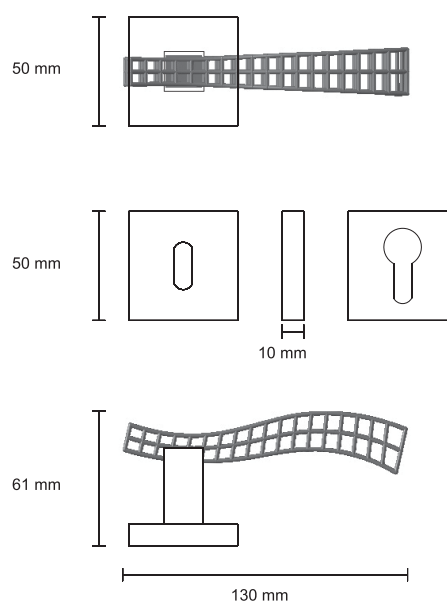
MOD. Q0225

SCHEDA TECNICA/ TECHNIQUE SCHEDULE

MATERIALE: OTTONE
MATERIAL: SOLID BRASS

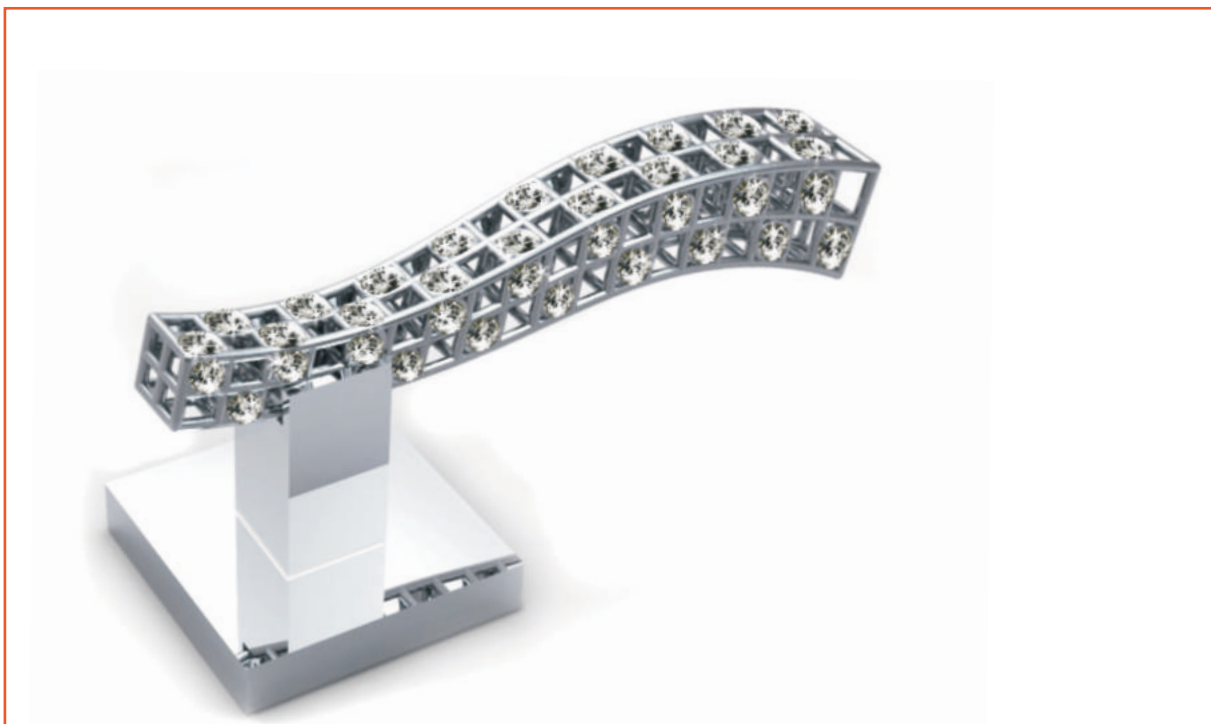
FINITURE /FINISHING

CROMO/ CHROME
CORTEN/ COURTESY
PALLADIO /PALLADIUM
PVD
OTTONE INGLESE/ ENGLISH BRASS



CLARA LUX

MADE WITH SWAROVSKI ELEMENTS



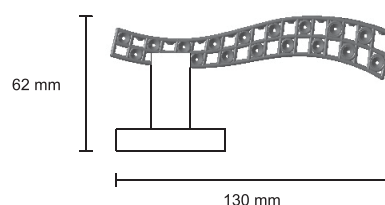
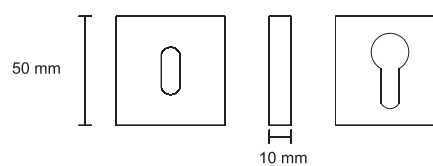
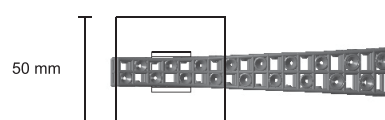
MOD. Q0229

SCHEMA TECNICA/ TECHNIQUE SCHEDULE

MATERIALE: OTTONE
MATERIAL: SOLID BRASS

FINITURE /FINISHING

CROMO/ CHROME
CORTEN/ COURTESY
PALLADIO /PALLADIUM
PVD
OTTONE INGLESE/ ENGLISH BRASS



DESIGN



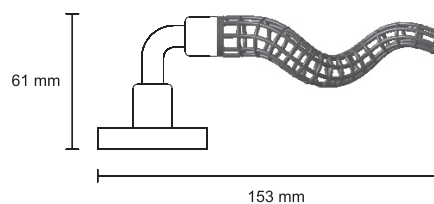
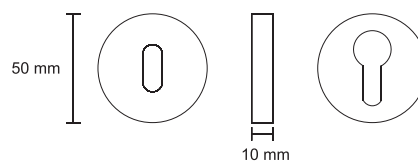
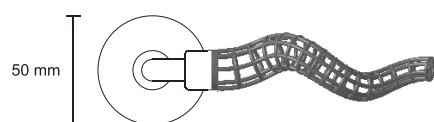
MOD. Q0083

SCHEDA TECNICA/ TECHNIQUE SCHEDULE

MATERIALE: OTTONE
MATERIAL: SOLID BRASS

FINITURE /FINISHING

CROMO/ CHROME
CORTEN/ COURTESY
PALLADIO /PALLADIUM
PVD
OTTONE INGLESE/ ENGLISH BRASS



DOLCEVITA



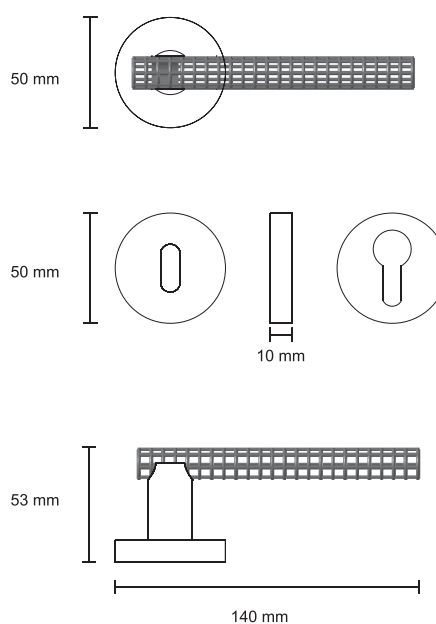
MOD. Q0238

SCHEMA TECNICA/ TECHNIQUE SCHEDULE

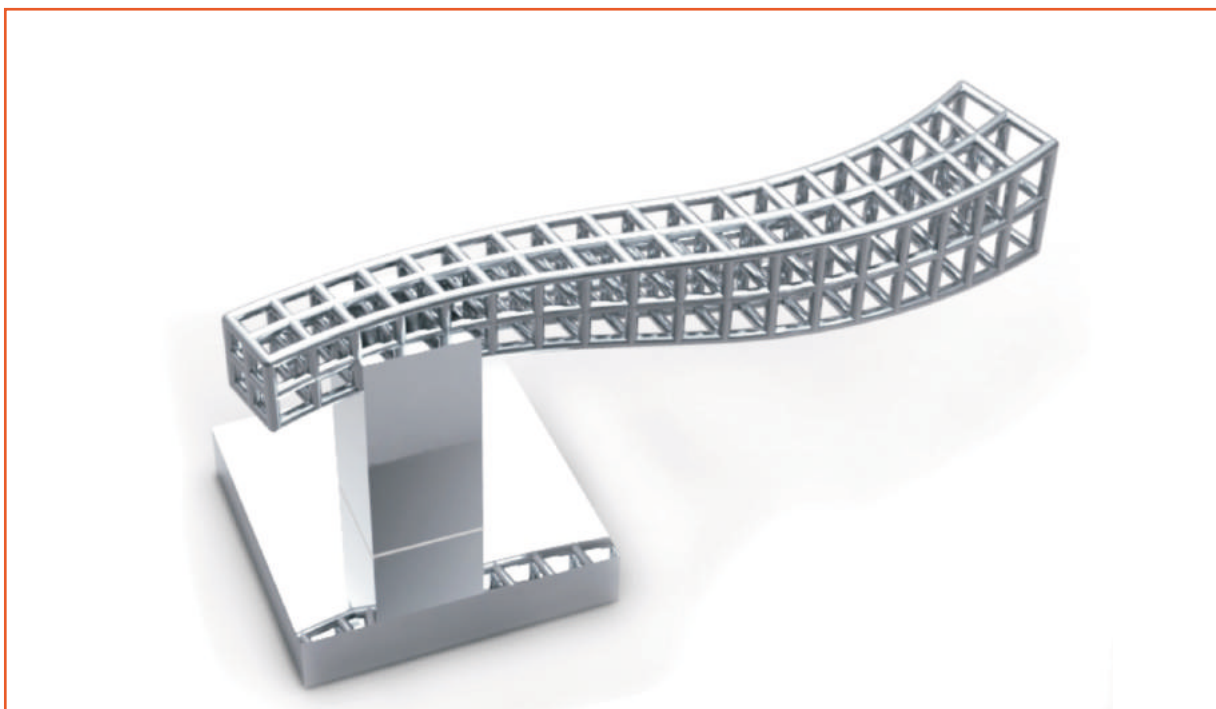
MATERIALE: OTTONE
MATERIAL: SOLID BRASS

FINITURE /FINISHING

CROMO/ CHROME
CORTEN/ COURTESY
PALLADIO /PALLADIUM
PVD
OTTONE INGLESE/ ENGLISH BRASS



FREESTYLE



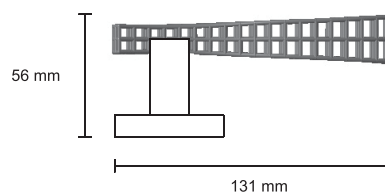
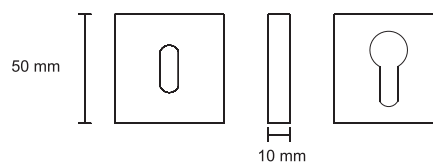
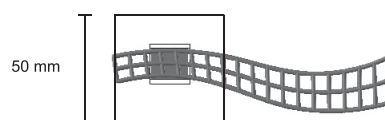
MOD. Q0226

SCHEDA TECNICA/ TECHNIQUE SCHEDULE

MATERIALE: OTTONE
MATERIAL: SOLID BRASS

FINITURE /FINISHING

CROMO/ CHROME
CORTEN/ COURTESY
PALLADIO /PALLADIUM
PVD
OTTONE INGLESE/ ENGLISH BRASS



FREESTYLE LUX

MADE WITH SWAROVSKI ELEMENTS



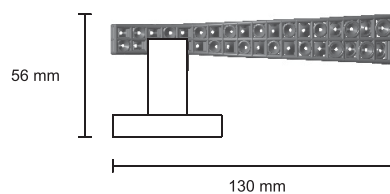
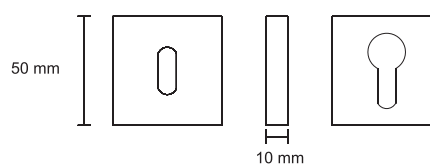
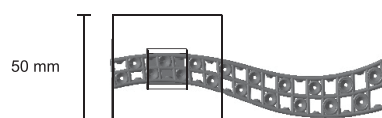
MOD. Q0230

SCHEMA TECNICA/ TECHNIQUE SCHEDULE

MATERIALE: OTTONE
MATERIAL: SOLID BRASS

FINITURE /FINISHING

CROMO/ CHROME
CORTEN/ COURTESY
PALLADIO /PALLADIUM
PVD
OTTONE INGLESE/ ENGLISH BRASS



GIANNI



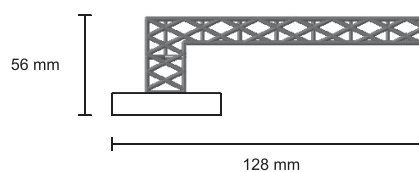
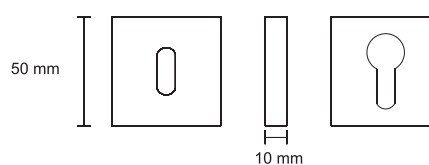
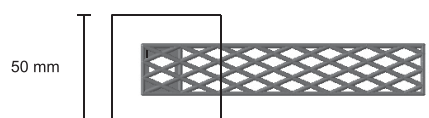
MOD. Q0234

SCHEMA TECNICA/ TECHNIQUE SCHEDULE

MATERIALE: OTTONE
MATERIAL: SOLID BRASS

FINITURE /FINISHING

CROMO/ CHROME
CORTEN/ COURTESY
PALLADIO /PALLADIUM
PVD
OTTONE INGLESE/ ENGLISH BRASS



LEGAME



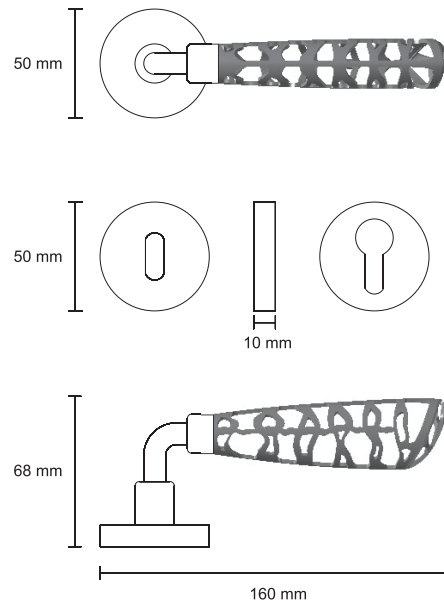
MOD. Q0076

SCHEMA TECNICA/ TECHNIQUE SCHEDULE

MATERIALE: OTTONE
MATERIAL: SOLID BRASS

FINITURE /FINISHING

CROMO/ CHROME
CORTEN/ COURTESY
PALLADIO /PALLADIUM
PVD
OTTONE INGLESE/ ENGLISH BRASS



LEGAME LUX

MADE WITH SWAROVSKI ELEMENTS



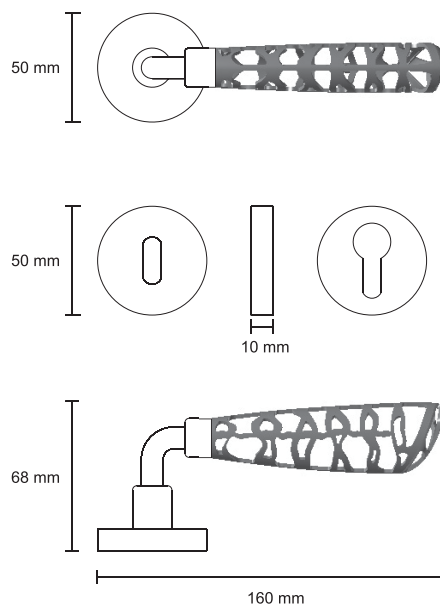
MOD. Q0108

SCHEDA TECNICA/ TECHNIQUE SCHEDULE

MATERIALE: OTTONE
MATERIAL: SOLID BRASS

FINITURE /FINISHING

CROMO/ CHROME
CORTEN/ COURTESY
PALLADIO /PALLADIUM
PVD
OTTONE INGLESE/ ENGLISH BRASS



LOLLY



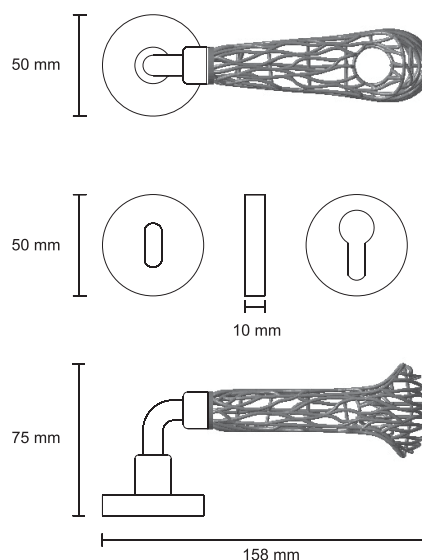
MOD. Q0073

SCHEMA TECNICA/ TECHNIQUE SCHEDULE

MATERIALE: OTTONE
MATERIAL: SOLID BRASS

FINITURE /FINISHING

CROMO/ CHROME
CORTEN/ COURTESY
PALLADIO /PALLADIUM
PVD
OTTONE INGLESE/ ENGLISH BRASS



LOLLY LUX

MADE WITH SWAROVSKI ELEMENTS



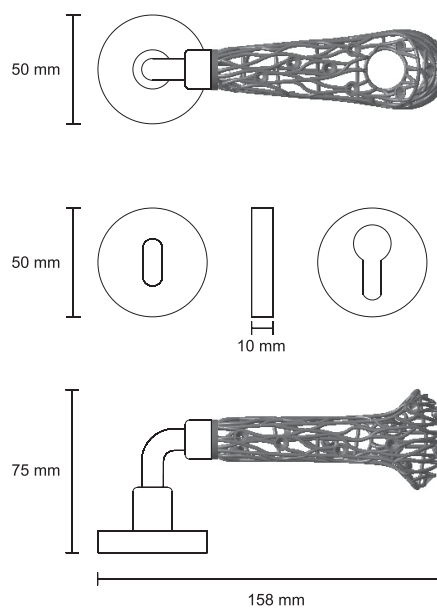
MOD. Q0110

SCHEMA TECNICA/ TECHNIQUE SCHEDULE

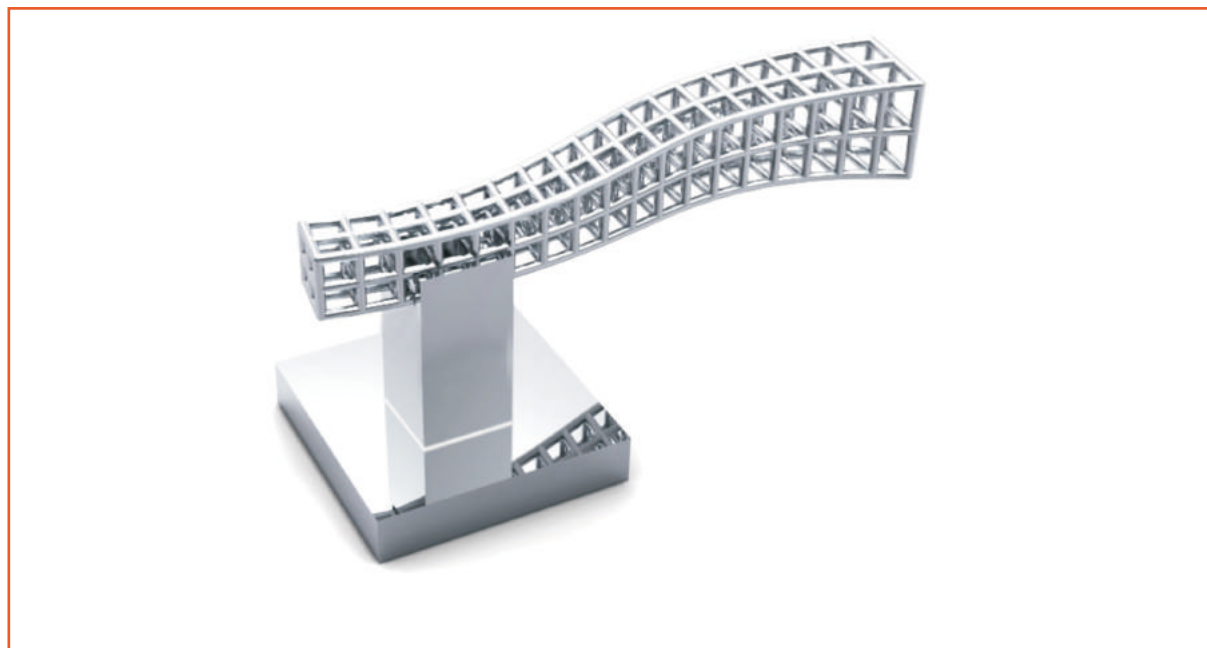
MATERIALE: OTTONE
MATERIAL: SOLID BRASS

FINITURE /FINISHING

CROMO/ CHROME
CORTEN/ COURTESY
PALLADIO /PALLADIUM
PVD
OTTONE INGLESE/ ENGLISH BRASS



LONDRA



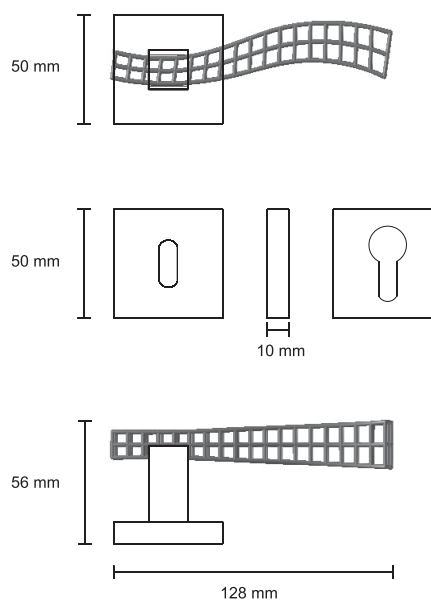
MOD. Q0072

SCHEMA TECNICA/ TECHNIQUE SCHEDULE

MATERIALE: OTTONE
MATERIAL: SOLID BRASS

FINITURE /FINISHING

CROMO/ CHROME
CORTEN/ COURTESY
PALLADIO /PALLADIUM
PVD
OTTONE INGLESE/ ENGLISH BRASS



LONDRA LUX

MADE WITH SWAROVSKI ELEMENTS



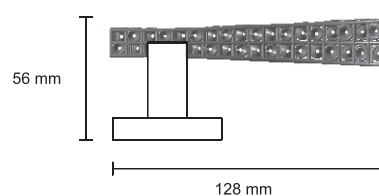
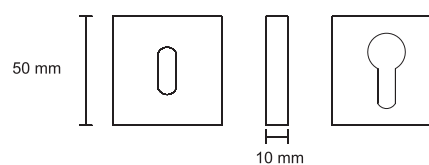
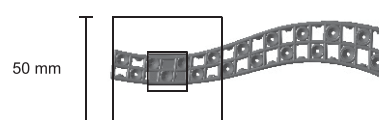
MOD. Q0109

SCHEMA TECNICA/ TECHNIQUE SCHEDULE

MATERIALE: OTTONE
MATERIAL: SOLID BRASS

FINITURE /FINISHING

CROMO/ CHROME
CORTEN/ COURTESY
PALLADIO /PALLADIUM
PVD
OTTONE INGLESE/ ENGLISH BRASS



MAYA



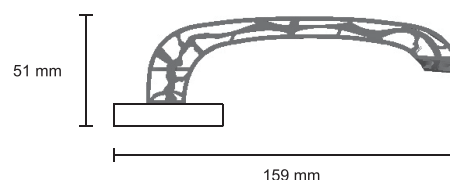
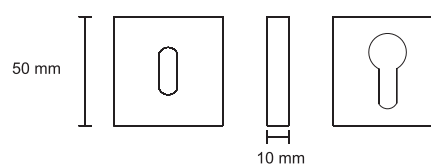
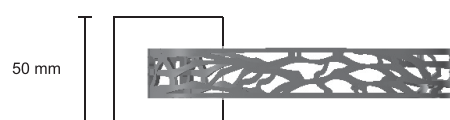
MOD. Q0236

SCHEMA TECNICA/ TECHNIQUE SCHEDULE

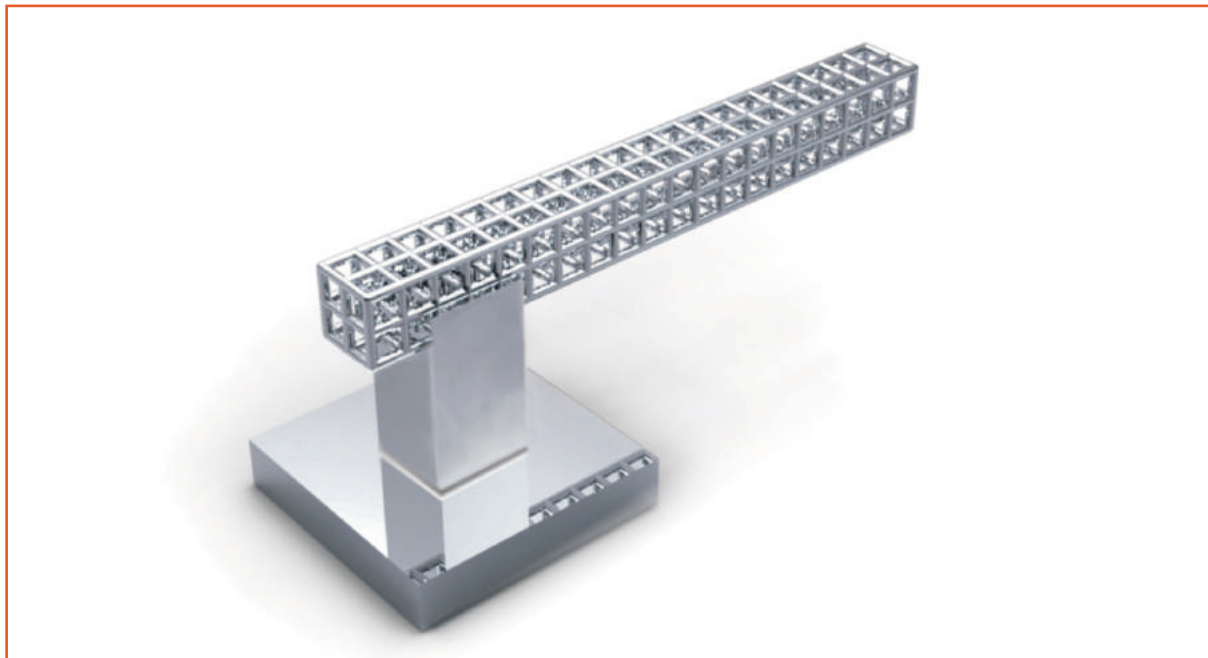
MATERIALE: OTTONE
MATERIAL: SOLID BRASS

FINITURE /FINISHING

CROMO/ CHROME
CORTEN/ COURTESY
PALLADIO /PALLADIUM
PVD
OTTONE INGLESE/ ENGLISH BRASS



MELO'



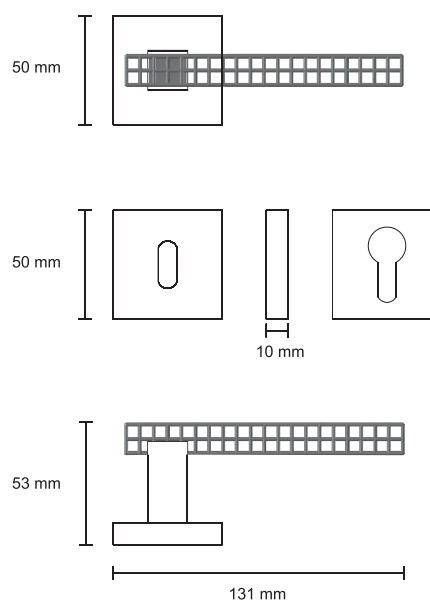
MOD. Q0191

SCHEDA TECNICA/ TECHNIQUE SCHEDULE

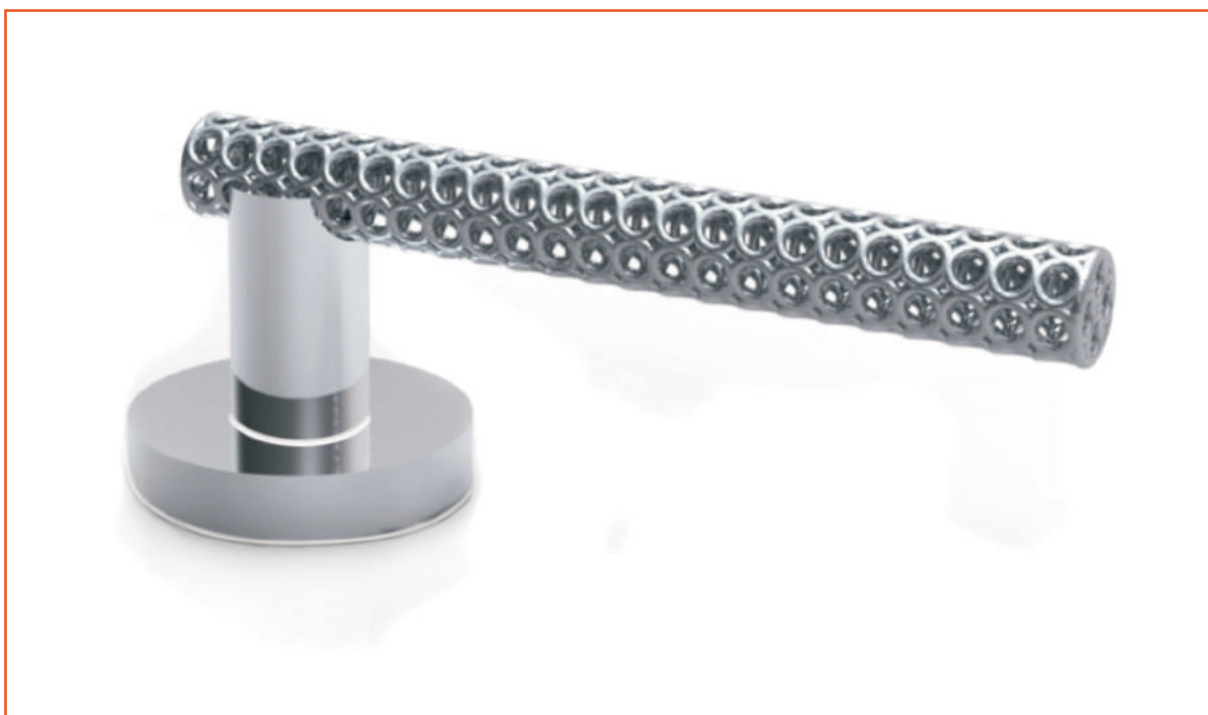
MATERIALE: OTTONE
MATERIAL: SOLID BRASS

FINITURE /FINISHING

CROMO/ CHROME
CORTEN/ COURTESY
PALLADIO /PALLADIUM
PVD
OTTONE INGLESE/ ENGLISH BRASS



OLIMPIA



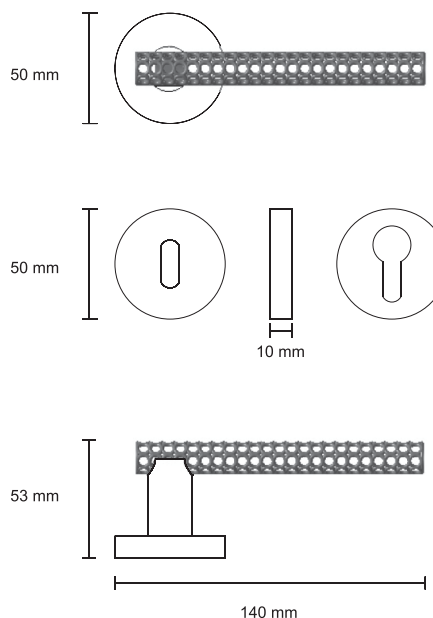
MOD. Q0239

SCHEMA TECNICA/ TECHNIQUE SCHEDULE

MATERIALE: OTTONE
MATERIAL: SOLID BRASS

FINITURE /FINISHING

CROMO/ CHROME
CORTEN/ COURTESY
PALLADIO /PALLADIUM
PVD
OTTONE INGLESE/ ENGLISH BRASS



ONDA



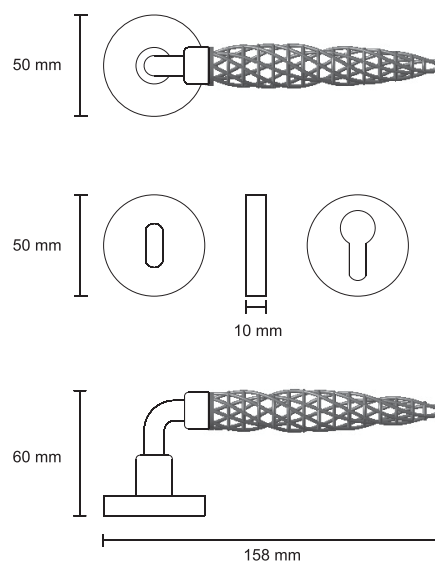
MOD. Q0081

SCHEMA TECNICA/ TECHNIQUE SCHEDULE

MATERIALE: OTTONE
MATERIAL: SOLID BRASS

FINITURE /FINISHING

CROMO/ CHROME
CORTEN/ COURTESY
PALLADIO /PALLADIUM
PVD
OTTONE INGLESE/ ENGLISH BRASS



PARIGI



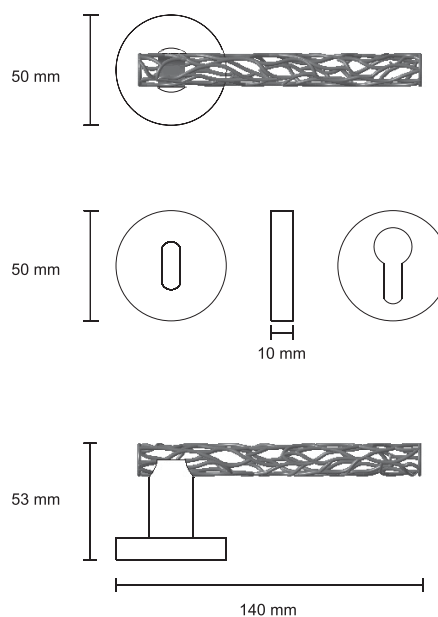
MOD. Q240

SCHEMA TECNICA/ TECHNIQUE SCHEDULE

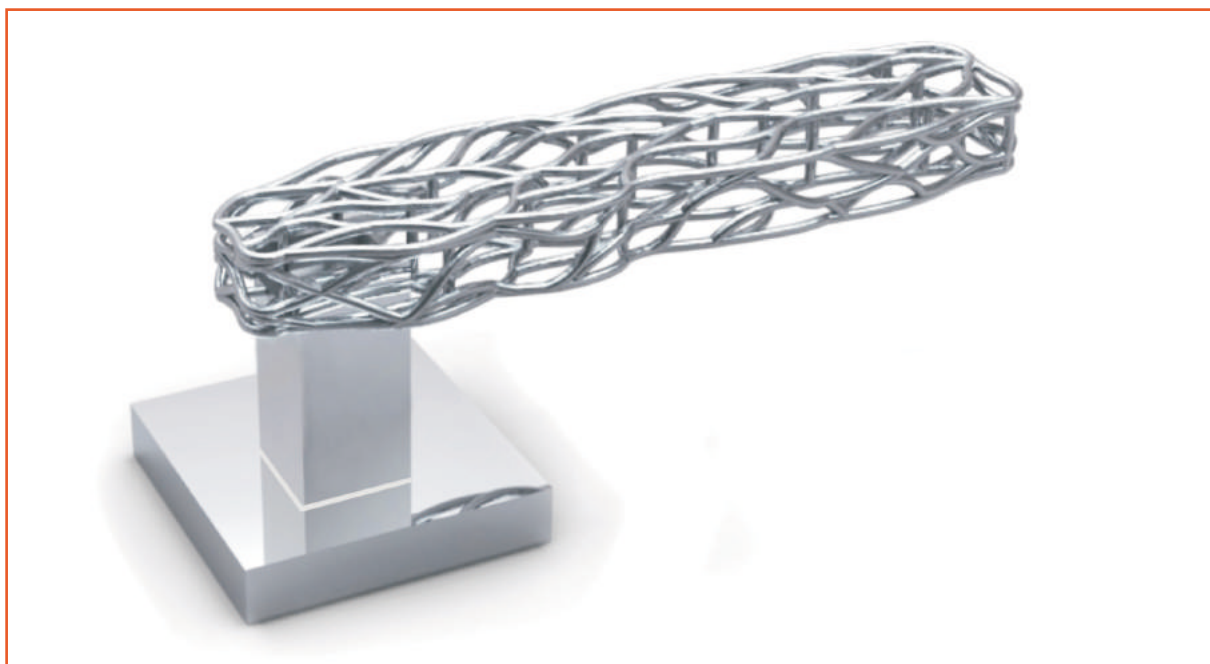
MATERIALE: OTTONE
MATERIAL: SOLID BRASS

FINITURE /FINISHING

CROMO/ CHROME
CORTEN/ COURTESY
PALLADIO /PALLADIUM
PVD
OTTONE INGLESE/ ENGLISH BRASS



SELVA



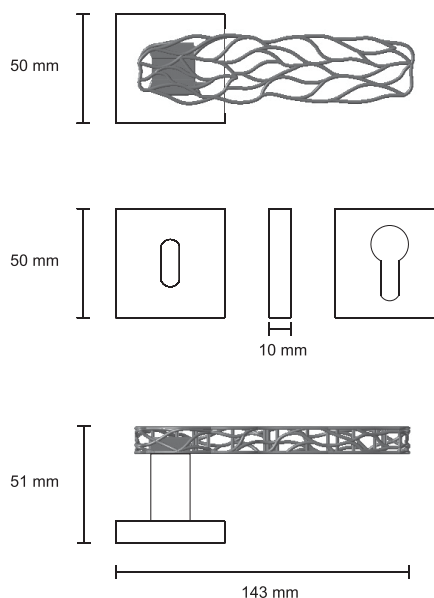
MOD. Q0228

SCHEMA TECNICA/ TECHNIQUE SCHEDULE

MATERIALE: OTTONE
MATERIAL: SOLID BRASS

FINITURE /FINISHING

CROMO/ CHROME
CORTEN/ COURTESY
PALLADIO /PALLADIUM
PVD
OTTONE INGLESE/ ENGLISH BRASS



SPIRALE



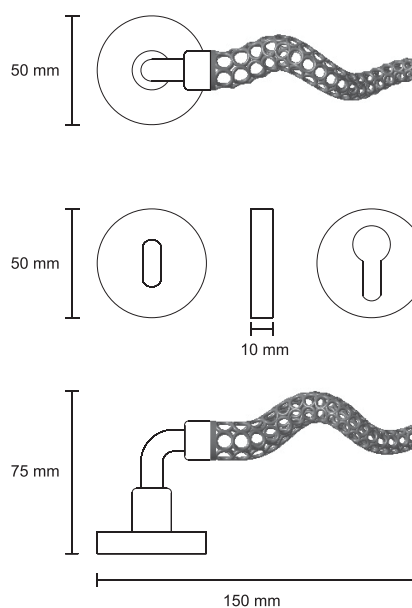
MOD. Q0111

SCHEMA TECNICA/ TECHNIQUE SCHEDULE

MATERIALE: OTTONE
MATERIAL: SOLID BRASS

FINITURE /FINISHING

CROMO/ CHROME
CORTEN/ COURTESY
PALLADIO /PALLADIUM
PVD
OTTONE INGLESE/ ENGLISH BRASS



SPIRALE LUX

MADE WITH SWAROVSKI ELEMENTS



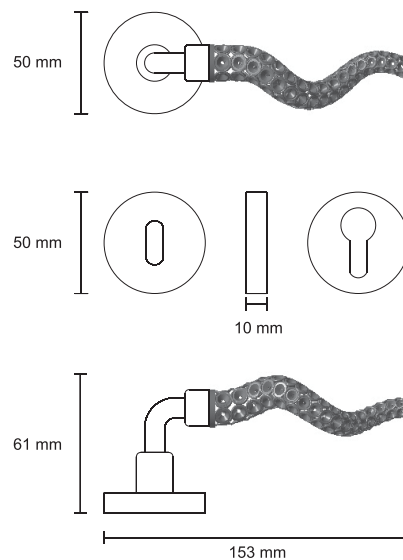
MOD. Q0114

SCHEMA TECNICA/ TECHNIQUE SCHEDULE

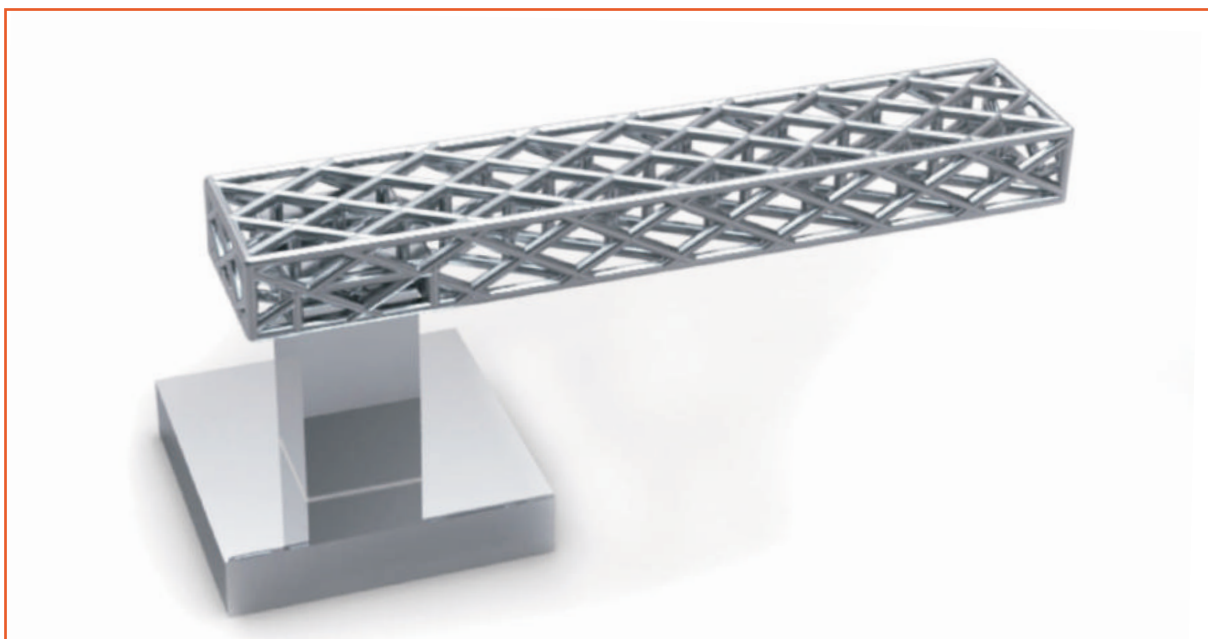
MATERIALE: OTTONE
MATERIAL: SOLID BRASS

FINITURE /FINISHING

CROMO/ CHROME
CORTEN/ COURTESY
PALLADIO /PALLADIUM
PVD
OTTONE INGLESE/ ENGLISH BRASS



TESSA



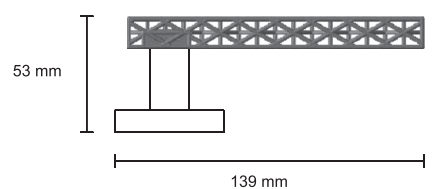
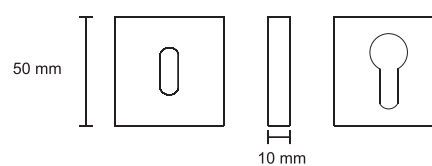
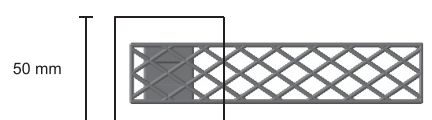
MOD. Q0193

SCHEMA TECNICA/ TECHNIQUE SCHEDULE

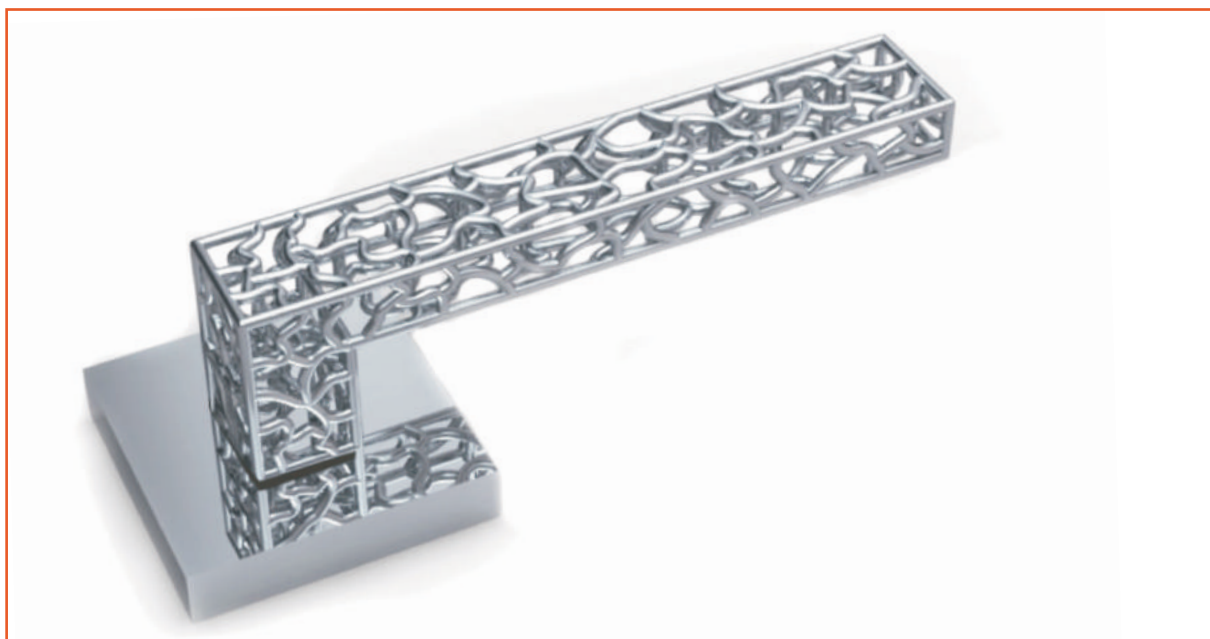
MATERIALE: OTTONE
MATERIAL: SOLID BRASS

FINITURE /FINISHING

CROMO/ CHROME
CORTEN/ COURTESY
PALLADIO /PALLADIUM
PVD
OTTONE INGLESE/ ENGLISH BRASS



TIGER



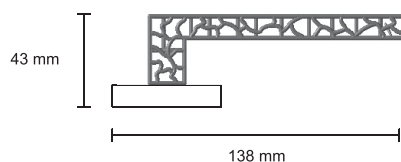
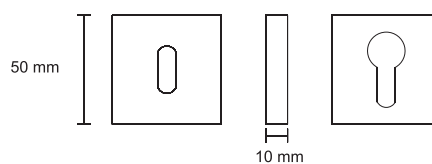
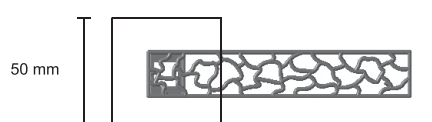
MOD. Q0235

SCHEDA TECNICA/ TECHNIQUE SCHEDULE

MATERIALE: OTTONE
MATERIAL: SOLID BRASS

FINITURE /FINISHING

CROMO/ CHROME
CORTEN/ COURTESY
PALLADIO /PALLADIUM
PVD
OTTONE INGLESE/ ENGLISH BRASS



VENERE



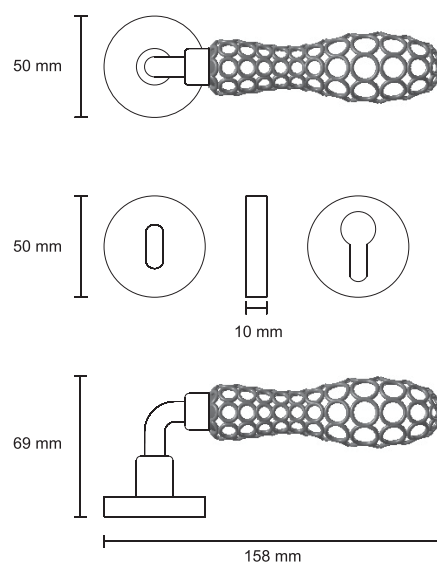
MOD. Q0232

SCHEMA TECNICA/ TECHNIQUE SCHEDULE

MATERIALE: OTTONE
MATERIAL: SOLID BRASS

FINITURE /FINISHING

CROMO/ CHROME
CORTEN/ COURTESY
PALLADIO /PALLADIUM
PVD
OTTONE INGLESE/ ENGLISH BRASS



VENERE LUX

MADE WITH SWAROVSKI ELEMENTS



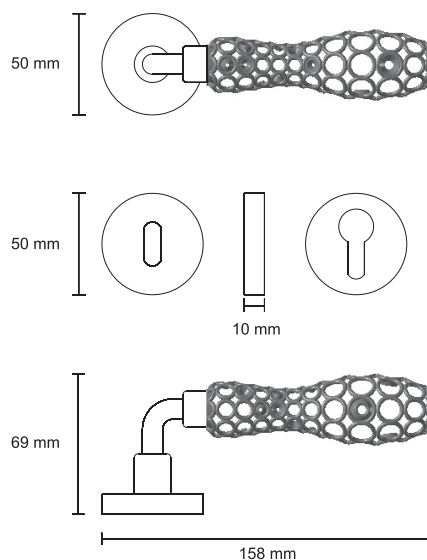
MOD. Q0233

SCHEMA TECNICA/ TECHNIQUE SCHEDULE

MATERIALE: OTTONE
MATERIAL: SOLID BRASS

FINITURE /FINISHING

CROMO/ CHROME
CORTEN/ COURTESY
PALLADIO /PALLADIUM
PVD
OTTONE INGLESE/ ENGLISH BRASS



XARA



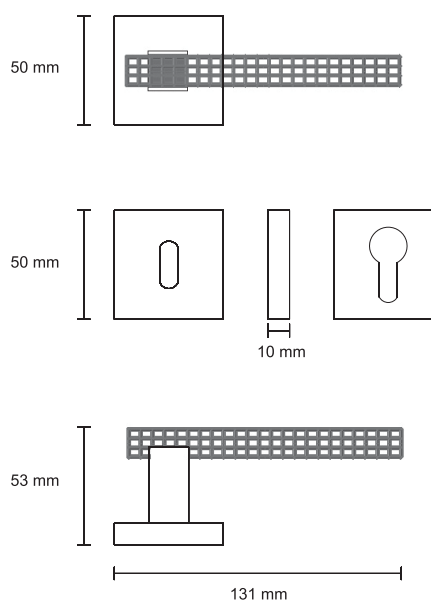
MOD. Q0219

SCHEMA TECNICA/ TECHNIQUE SCHEDULE

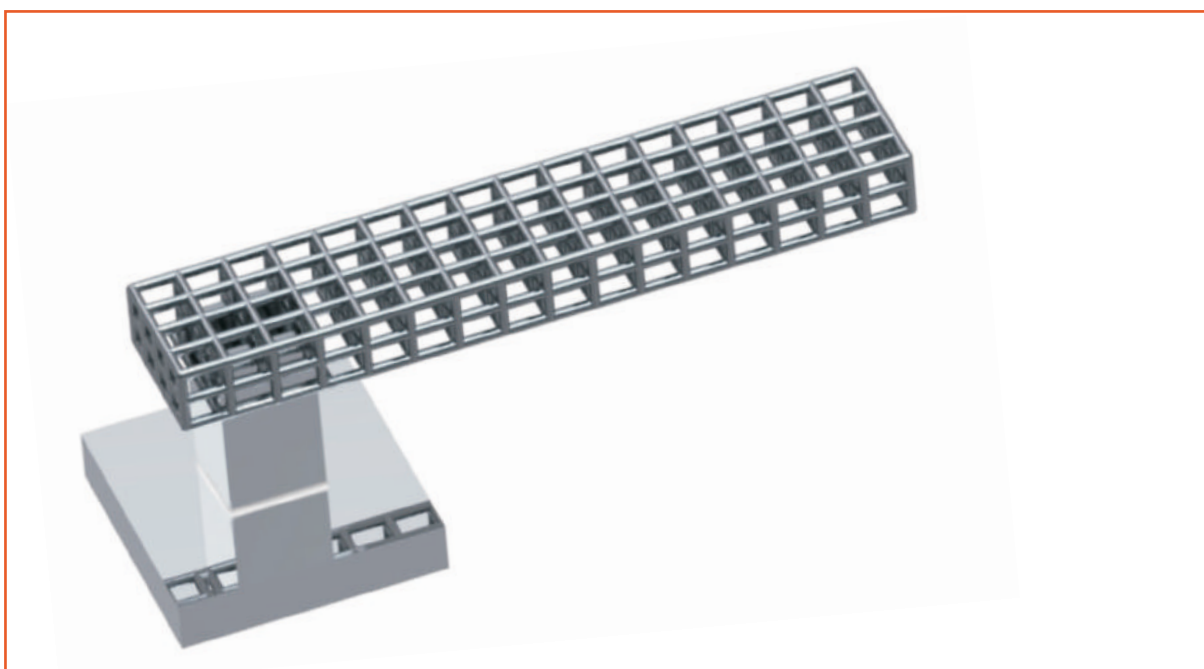
MATERIALE: OTTONE
MATERIAL: SOLID BRASS

FINITURE /FINISHING

CROMO/ CHROME
CORTEN/ COURTESY
PALLADIO /PALLADIUM
PVD
OTTONE INGLESE/ ENGLISH BRASS



ZENIT



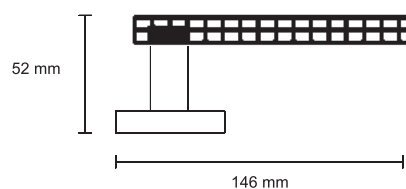
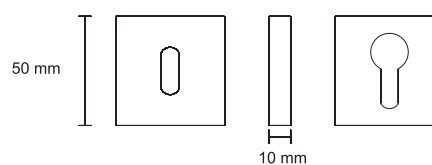
MOD. Q0243

SCHEMA TECNICA/ TECHNIQUE SCHEDULE

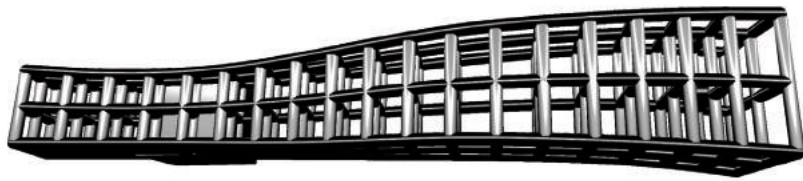
MATERIALE: OTTONE
MATERIAL: SOLID BRASS

FINITURE /FINISHING

CROMO/ CHROME
CORTEN/ COURTESY
PALLADIO /PALLADIUM
PVD
OTTONE INGLESE/ ENGLISH BRASS



CREATI CON TE...PER TE
CREATED WHIT YOU FOR YOU



Reticube[®]
technology

WORLDWIDE PATENT

DESIGN BY GUIMER SRL

VIA DELL'INDUSTRIA 8 A/B
40012 CALDERARA DI RENO (BOLOGNA) – ITALIA
TEL: +39 051 72 77 86 EMAIL: INFO@GUIMER.IT